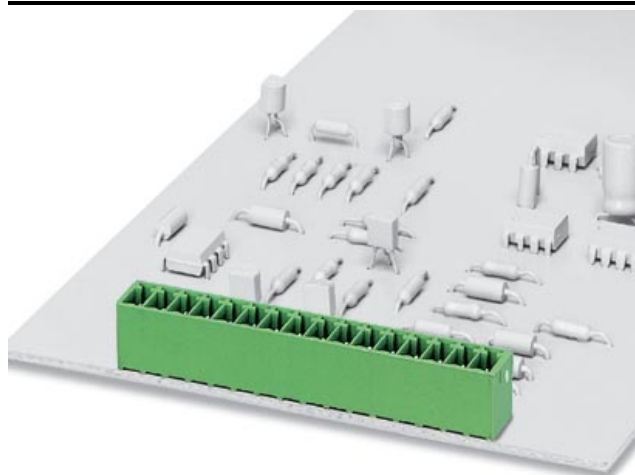


Please note that the data given here has been taken from the online catalog. For comprehensive information and data, please refer to the user documentation at <http://www.download.phoenixcontact.com>. The General Terms and Conditions of Use apply to Internet downloads.

## ▶ Extract from the online catalog



Header, nominal current: 8 A, rated voltage: 160 V,  
pitch: 3.81 mm, no. of positions: 10, mounting:  
Soldering

The illustration shows a 16-position version

Order No.	1803507
Ord designation	MCV 1,5/10-G-3,81
EAN	4017918045814
Pack	50 Pcs.
Customs tariff	85369010
Catalog page information	Page 109 (CC-2005)

## ▶ Product notes

WEEE/RoHS-compliant since: 01/01/2003



## ▶ Technical data

### Dimensions / positions

Pitch	3.81 mm
Dimension a	34.29 mm
Number of positions	10
Pin dimensions	0,8 x 0,8 mm
Hole diameter	1.2 mm

**Technical data**

Insulating material group	IIIa
Rated surge voltage (III/3)	2.5 kV
Rated surge voltage (III/2)	2.5 kV
Rated surge voltage (II/2)	2.5 kV
Rated voltage (III/2)	160 V
Rated voltage (II/2)	250 V
Connection in acc. with standard	EN-VDE
Nominal current $I_N$	8 A
Nominal voltage $U_N$	160 V
Maximum load current	8 A
Insulating material	PBT
Inflammability class acc. to UL 94	V0

► Certificates

Certificate logos



**CSA**

Nominal voltage $U_N$	300 V
Nominal current $I_N$	8 A

**CUL**

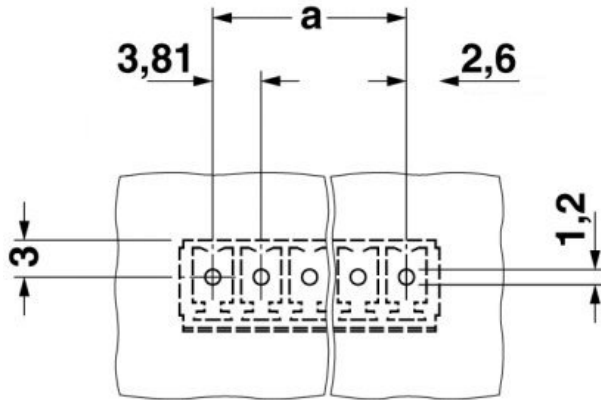
Nominal voltage $U_N$	300 V
Nominal current $I_N$	8 A
Nominal voltage $U_N$	250 V
Nominal current $I_N$	8 A

**UL**

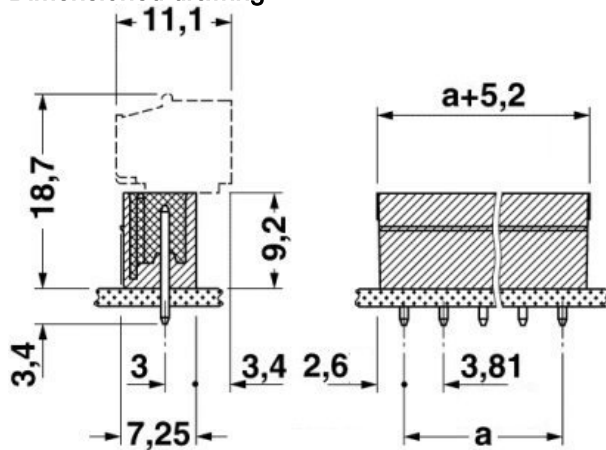
Nominal voltage $U_N$	300 V
Nominal current $I_N$	8 A
Nominal voltage $U_N$	250 V
Nominal current $I_N$	8 A

► Drawings

Drilling diagram



Dimensioned drawing



---

## ► Accessories

---

Item	Designation	Description
<b>Marking</b>		
1051993	B-STIFT	Marker pen, for manual labeling of unprinted Zack strips, smear-proof and waterproof, line thickness 0.5 mm
0804109	SK 3,81/2,8:FORTL.ZAHLEN	Marker card, printed horizontally, self-adhesive, 10-section marker strip, 14 identical decades marked 1-10, 11-20 etc. up to 91-(99)100, sufficient for 140 terminal blocks
0805056	SK 3,81/2,8:SO	Marker card, special printing, self-adhesive, labeled acc. to customer requirements, 14 identical marker strips per card, max. 25-position labeling per strip, color: White
<b>Plug/Adapter</b>		
1734634	CP-MSTB	Coding section, is inserted into the slot on the plug or inverted header, red insulating material

---

## ► Additional products

Item	Designation	Description
<b>General</b>		
1851122	FK-MCP 1,5/10-ST-3,81	Plug component, nominal current: 8 A, rated voltage: 160 V, pitch: 3.81 mm, no. of positions: 10, type of connection: Spring-cage connection
1850741	FRONT-MC 1,5/10-ST-3,81	Plug component, nominal current: 8 A, rated voltage: 160 V, pitch: 3.81 mm, no. of positions: 10, type of connection: Screw connection
1862658	IMC 1,5/10-G-3,81	Header, nominal current: 8 A, rated voltage: 160 V, pitch: 3.81 mm, no. of positions: 10, mounting: Soldering
1875506	IMCV 1,5/10-G-3,81	Header, nominal current: 8 A, rated voltage: 160 V, pitch: 3.81 mm, no. of positions: 10, mounting: Soldering
1803659	MC 1,5/10-ST-3,81	Plug component, nominal current: 8 A, rated voltage: 160 V, pitch: 3.81 mm, no. of positions: 10, type of connection: Screw connection
1852257	MCC 1/10-STZ-3,81	Plug component, nominal current: 8 A, rated voltage: 160 V, pitch: 3.81 mm, no. of positions: 10, type of connection: Crimp connection
1827208	MCVR 1,5/10-ST-3,81	Plug component, nominal current: 8 A, rated voltage: 160 V, pitch: 3.81 mm, no. of positions: 10, type of connection: Screw connection
1827059	MCVW 1,5/10-ST-3,81	Plug component, nominal current: 8 A, rated voltage: 160 V, pitch: 3.81 mm, no. of positions: 10, type of connection: Screw connection
1897474	QC 0,5/10-ST-3,81	Plug component, nominal current: 8 A, rated voltage: 160 V, pitch: 3.81 mm, no. of positions: 10, type of connection: Insulation displacement connection QUICKON

---

## ► Address

---

PHOENIX CONTACT Inc., USA  
586 Fulling Mill Road  
Middletown, PA 17057  
USA  
Phone (800) 888-7388  
Fax (717) 944-1625  
<http://www.phoenixcon.com>  
Phoenix Contact  
Technical modifications reserved;